

P7100 Proofer

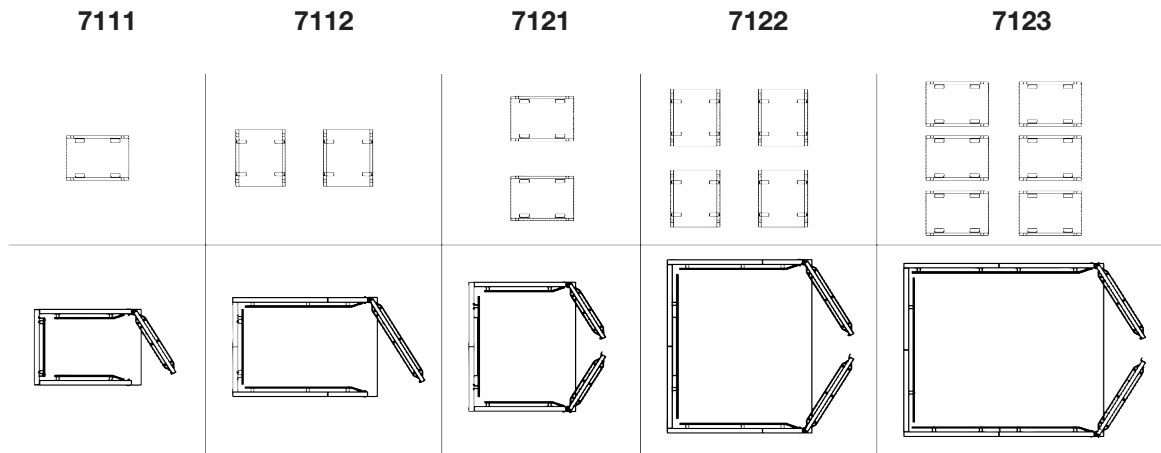


Available in electric heated models.

The unique technology in a Revent proofer will take your baking quality to an even higher level.

Revent[™]
More than Quality.

Rack configurator



Utility Requirements

- > Water Supply
1/2" 28PSI
- > Drain
3/4" connection back
- > Electrical
3 phase

NOTE: All voltages available, check with factory



Model	No. of racks single double	No. of doors	Door opening size (w x h)	Heating capacity	Inside dimensions (w x d x h)	Outside dimensions (w x d x h)
7111	1 single	1	28" x 77.5"	3.3 kw	28" x 36" x 74"	36.5" x 45.5" x 95.5"
7112	2 singles or 1 double	1	32.5" x 77.5"	3.3 kw	32.5" x 42" x 74"	41" x 52" x 95.5"
7121	2 singles or 1 double	2	46" x 77.5"	3.3 kw	46" x 36" x 74"	54.5" x 45.5" x 95.5"
7122	4 singles or 2 doubles	2	59" x 77.5"	5 kw	59" x 42" x 74"	67.5" x 52" x 95.5"
7123	6 singles or 3 doubles	2	59" x 77.5"	5 kw	59" x 66" x 74"	67.5" x 76" x 95.5"

Continuous product development is a Revent policy. Therefore, we reserve the right to change specifications and/or design without prior notice. Pictures or drawings may include product options.

Revent sales representative:



Revent Incorporated

100 Ethel Road West, Piscataway, New Jersey 08854
 Phone (732) 777-9433, Fax (732) 777-1187
 Toll Free 800-822-9642
 E-mail info@revent.com, www.revent.com